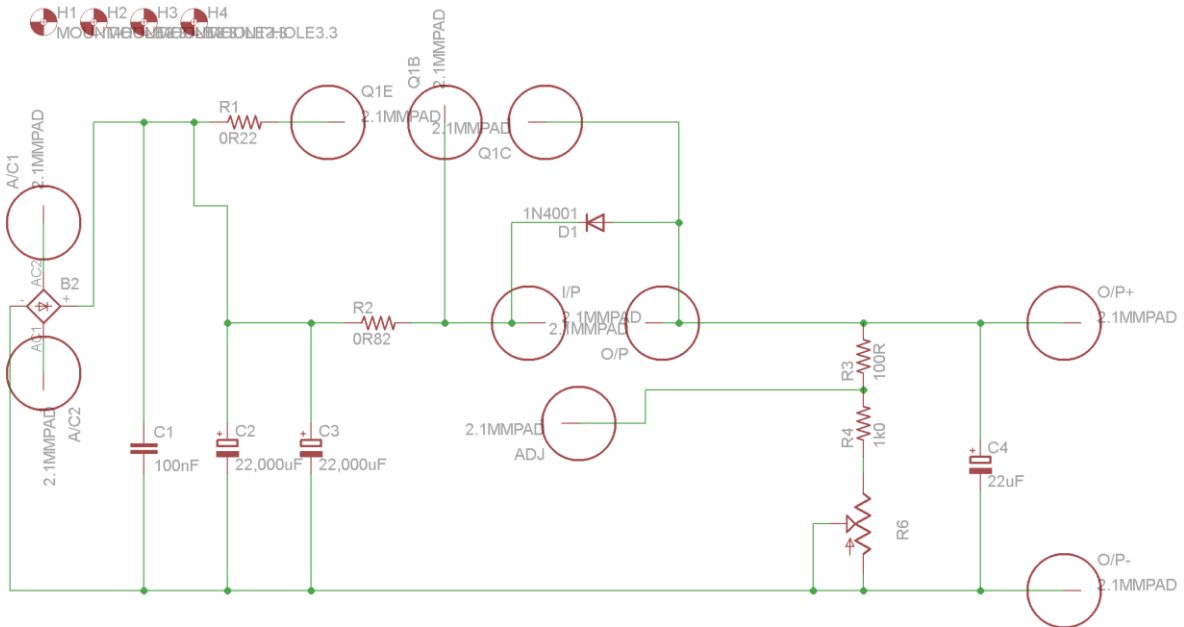
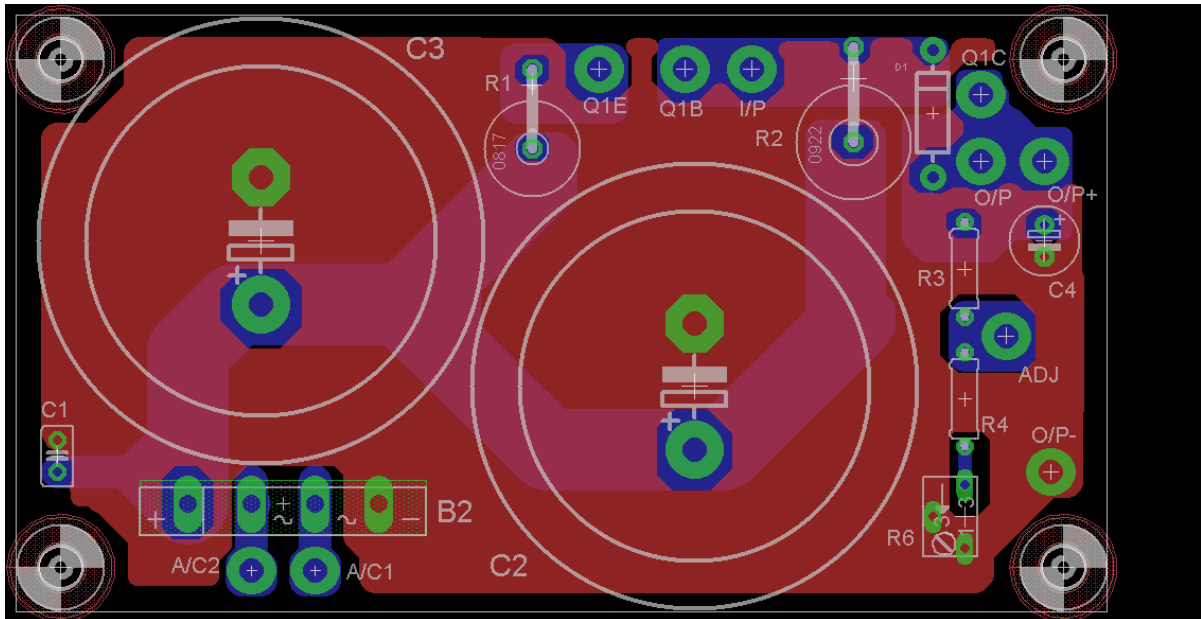


5A CURRENT LIMITED POWER SUPPLY KIT INSTRUCTIONS

R1	0.22R/ 5W	1off
R2	0.82R/ 7W	1off
R3	100R	1off
R4	1k	1off
R6	500R trimmer	1off
C1	0.1uF (marked 104)	1off
C2 & C3	22,000uF	2off
C4	22uF	1off
D1	1N4001	1off
FWBR	GBU8D or equivalent	1off
	Heat sink for above	1off
Q1	MJE2955	1off
	LM317T	1off
	Large finned heat sink	1off
	M3 x 12mm bolt	4off
	M3 nut	4off
	TO-220 insulating kit	1off
	TO-3 insulating kit	1off





Assembly Instructions

1. Check all components and ensure they are all there. As advised in the eBay advert the LM317 and finned heat sink are second hand but this keeps the cost of the kit down as sourcing parts in the UK can be expensive.
2. I'd suggest fitting components to the board from smallest to largest.
3. Fit the heat sink to the FWBR prior to fitting to the PCB, the bolt head is bit of a tight fit against C3!
4. The three connections for the MJE2955 are identified on the PCB, take time to ensure the base, collector and emitter are connected to the right point. Similarly with the connections for the LM317.
5. The actual output terminals for the PCB are identified as O/P+ and O/P-. The point marked O/P is for the LM317.
6. The MJE2955 can be attached to the finned heat sink along with the LM317 but make sure that the insulating kits are fitted correctly.
7. The PCB should be powered by a 15V/ 120VA rated transformer.